

ROTAPULS

Incremental encoders

Series

I40 • I41 • CK41 • CK46



- Compact industrial encoders
- Solid or hollow shaft version
- Preferential versions with fast delivery
- Universal output circuit HTL/TTL
- High resolution up to 4096 PPR



I41 • I40



CK46 • CK41

ENVIRONMENTAL SPECIFICATIONS

Shock:	100 g, 6 ms
Vibrations:	10 g, 5-2000 Hz
Protection:	IP64
Operating temperature range:	-25°C +85°C (-13°F +185°F)
Storage temperature range:	-25°C +85°C (-13°F +185°F) (98% R.H. without condensation)
Option:	• IP65, IP66 protection shaft end (only I41)

MECHANICAL SPECIFICATIONS

Dimensions:	see drawing
Shaft diameter:	Ø 6, 6.35, 8 mm
Shaft loading (axial, radial):	20 N max.
Shaft rotational speed:	6000 rpm max.
Starting torque (at 20°C):	0,1 Ncm (typical)
Bearings life:	10 ⁹ rev. min.
Electrical connections:	cable output 1 m (3.3 ft)
Weight:	~ 100 g (3,5 oz)
Option:	• additional cable • DSub 9 pin inline connector • M12 plug

ELECTRICAL SPECIFICATIONS

Resolution (PPR): <i>(other resolutions on request)</i>	1-2-5-8-10-15-30-32-40-50-60-72-84-90-100 180-200-250-256-300-360-400-500-512-600-720 900-1000-1024-1440-1800-2000-2048-2400 3600-4000-4096
Counting frequency:	100 kHz max.
Output circuits:	NPN, PNP, Push-Pull, Line Driver, Universal circuit
Power supply:	+5V±5%, +10V +30V, +5V +30V
Consumption:	70 mA (typical)
Output current (each channel):	40 mA max.
Protection:	against inversion of polarity and short circuit
EMC:	electro-magnetic immunity, according to: EN 61000-4-2 EN 61000-4-4
Optoelectronic life:	100.000 hrs min.

MATERIALS

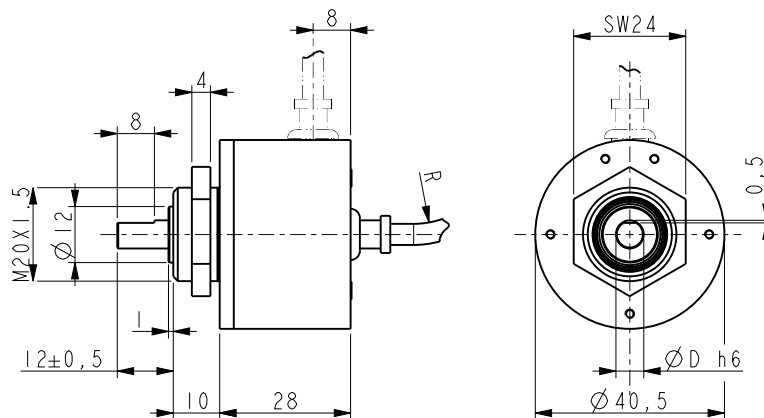
Flange:	anticorodal, UNI EN AW-6082
Housing:	fibre glass epoxy resin
Bearings:	ABEC 5
Shaft:	stainless steel, non-magnetic, UNI EN 4305

PREFERENTIAL MODELS

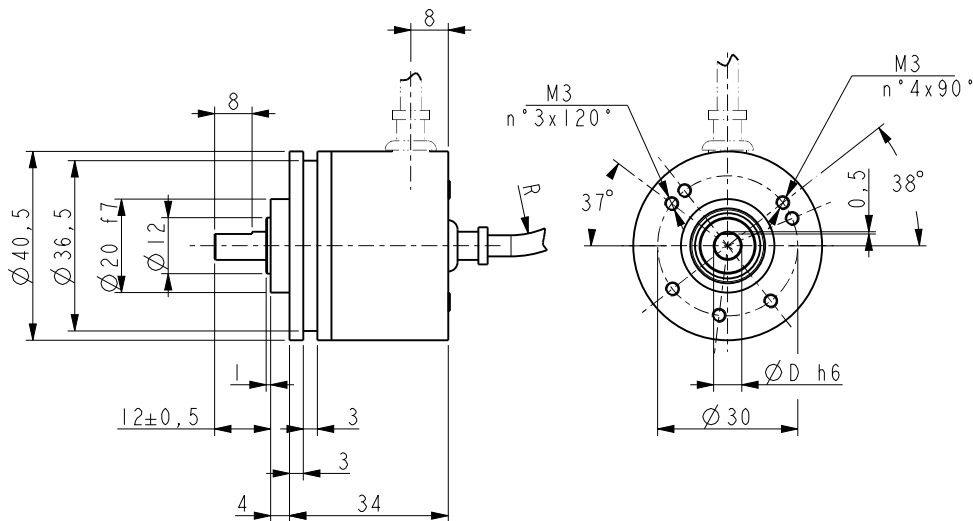
I41-H-100ZCU46L2	100 PPR, HTL/TTL output
I41-H-200ZCU46L2	200 PPR, HTL/TTL output
I41-H-360ZCU46L2	360 PPR, HTL/TTL output
I41-H-500ZCU46L2	500 PPR, HTL/TTL output
I41-H-1000ZCU46L2	1000 PPR, HTL/TTL output
I41-H-1024ZCU46L2	1024 PPR, HTL/TTL output
CK41-H-100ZCU46L2	100 PPR, HTL/TTL output
CK41-H-200ZCU46L2	200 PPR, HTL/TTL output
CK41-H-360ZCU46L2	360 PPR, HTL/TTL output
CK41-H-500ZCU46L2	500 PPR, HTL/TTL output
CK41-H-1000ZCU46L2	1000 PPR, HTL/TTL output
CK41-H-1024ZCU46L2	1024 PPR, HTL/TTL output
CK41-H-2000ZCU46L2	2000 PPR, HTL/TTL output
CK41-H-2048ZCU46L2	2048 PPR, HTL/TTL output

ACCESSORIES

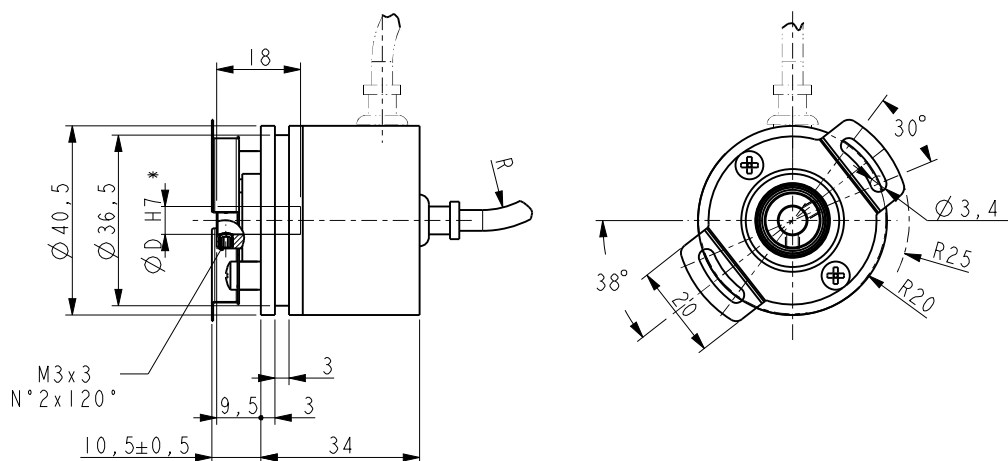
EDE9S:	9 pin DSub mating connector
EM12F8:	M12 8 pin mating connector
PAN/PGF:	flexible couplings
LKM-386:	fixing clamps



I40

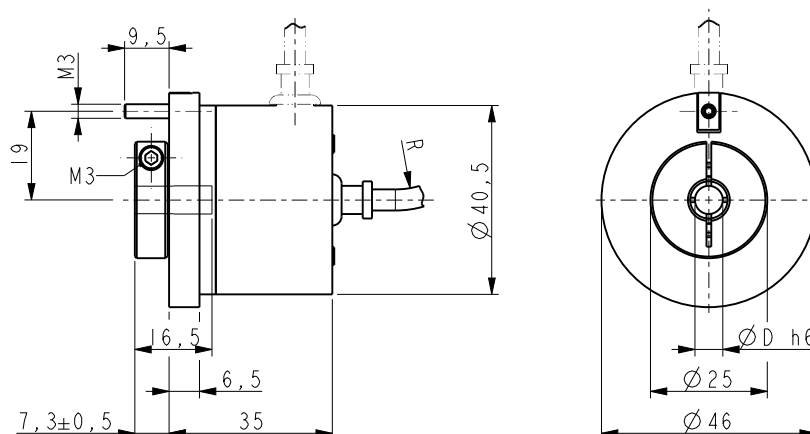


I41



* $\phi 8$ bore depth = 9mm

CK41



CK46