



- Miniature optical multi turn encoder
- Resolution up to 524288 cpr (19 bit) x 4096 turns (12 bit)
- High degree of protection, IP67
- Cable output or M12 inline plug



AMC36 • AM36

ENVIRONMENTAL SPECIFICATIONS

Shock:	250 g, 6 ms acc. to CEI EN 60068-2-27
Vibrations:	10 g, 5-2000 Hz acc. to CEI EN 60068-2-6
Protection:	IP67, IP65 shaft side
Operating temperature range:	-25°C +85°C (-13°F +185°F)
Storage temperature range:	-40°C +100°C (-40°F +212°F) (98% R.H.without condensation)
Option:	• Operating temperature range: -40°C + 100°C (-40°F +212°F)

MECHANICAL SPECIFICATIONS

Dimensions:	see drawing
Shaft diameter:	Ø 6 mm
Hollow shaft diameter:	Ø 6 mm
Shaft loading (axial, radial):	20 N max.
Shaft rotational speed:	6000 rpm
Starting torque (at 20°C):	0,1 Ncm
Bearings life:	10 ⁹ rev. min.
Electrical connections:	M12 inline plug or cable output 1 m (3.3 ft)
Weight:	~ 100 g (3,5 oz)
Option:	• additional cable

ELECTRICAL SPECIFICATIONS

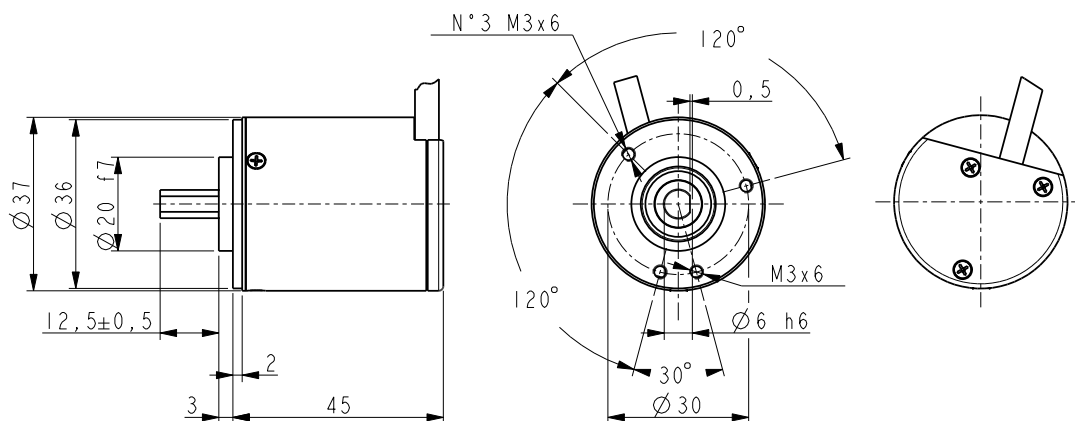
Resolution:	65536 cpr x 4096 turns, 524288 cpr x 4096 turns
Accuracy:	± 0,01° @ 16 bit resolution
Output circuits:	SSI (RS422), clock rate < 4 MHz BiSS-C, clock rate < 10 MHz
Output code:	Gray, Binary
Counting frequency:	> 100 kHz
Power supply:	+5V±5%, +5Vdc +30Vdc
Power consumption:	0,5 W
Protection:	against inversion of polarity and short-circuit
EMC:	electro-magnetic immunity, according to EN 61000-4-2 EN 61000-4-4
Optoelectronic life:	> 100.000 h min.
Functions:	• Counting direction (input) • Zero setting/Preset (input)

MATERIALS

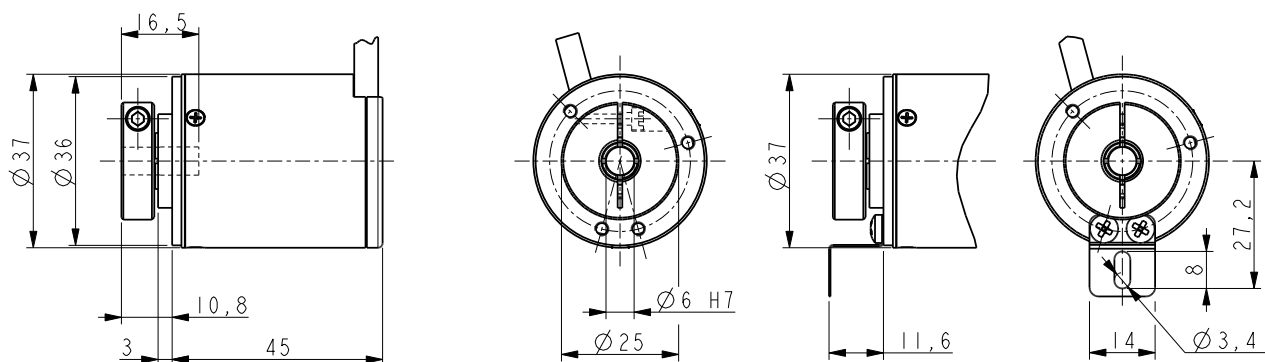
Flange:	anticorrosive, UNI EN AW-6082
Housing:	anticorrosive, UNI EN AW-6082
Bearings:	ABEC 5
Shaft:	stainless steel, non magnetic, UNI EN 4305

ACCESSORIES

PAN:	flexible couplings
EM12F8:	M12 8 pin mating connector



AM36



AMC36

Order code

AM36 AMC36	XX/XXXX a	XXX b	-	X c	-	X d	XXX e	/Sxxx f
---------------	--------------	----------	---	--------	---	--------	----------	------------

<p>a RESOLUTIONS 16/4096 = 65536 cpr x 4096 turns 19/4096 = 524288 cpr x 4096 turns</p>	<p>b OUTPUT BG1 = SSI, Binary MSB aligned, +5Vdc ±5% BG2 = SSI, Binary MSB aligned, +10+30Vdc GG1 = SSI, Gray MSB aligned, +5Vdc ±5% GG2 = SSI, Gray MSB aligned, +10+30Vdc SC1 = BiSS-C, +5Vdc ±5% SC2 = BiSS-C, +10+30Vdc SC4 = BiSS-C, +5Vdc+30Vdc</p>	<p>c SHAFT DIAMETER 6 = 6 mm</p> <p>d OPERATING TEMP. RANGE - = -25°C +85°C (-13°F +185°F) std. K = -40°C +100°C (-40°F +212°F)</p>	<p>e CONNECTIONS L1 = cable output 1 m L2 = cable output 2 m Lx = cable output x m M0,5 = 0,5 m cable + M12 8 pin inline plug M2 = 2 m cable + M12 8 pin inline plug</p>	<p>f CUSTOM VERSION</p>
--	--	---	---	--------------------------------

Document release	Date	Description
1.1	12.02.2021	Order code - Output update