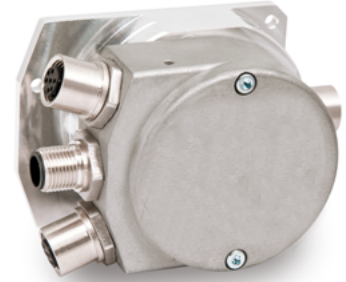




- SSI linear & rotary encoder gateway and converter
- All typical encoder functions available
- Position output
- Selectable encoder supply 5, 24Vdc
- Robust metal housing, IP65 protection
- DIN-rail snap-on installation possible



IF55



### FUNCTIONS

Position output, scaling function, preset, offset, counting direction, diagnostics

### ENVIRONMENTAL SPECIFICATIONS

Shock:	250 g, 6 ms acc. to CEI EN 60068-2-27
Vibrations:	10 g, 5-2000 Hz acc. to CEI EN 60068-2-6
Protection:	IP65
Operating temperature range:	-25°C +85°C (-13°F +185°F)
Storage temperature range:	-25°C +85°C (-13°F +185°F)

### MECHANICAL SPECIFICATIONS

Dimensions:	see drawing
Electrical connections:	SSI input M12 8 pin connector (female) Output with PG or M12 connectors according to bus specifications
Weight:	~ 250 g

### ELECTRICAL SPECIFICATIONS

Output power supply (for encoders):	10Vdc +30Vdc, 5Vdc selectable
Output current:	with output voltage set to 5Vdc: 500 mA with output voltage set to 10Vdc: 1000 mA(*) (* output voltage is equal to power supply)
Power consumption (excl. sensor):	1,5 W max. interface CB, PB, PT, EC 2,5 W max. interface EP, PL, MT
SSI input:	single turn: 18 bit max. multi turn: 16 x 16 bit, max. 30 bit linear sensors: 30 bit max., resolution 1µm ÷ 5000µm code: binary or gray, LSB or MSB aligned protocol, max. 32 clock clock frequency: 500 ÷ 600 kHz
Output interfaces:	CANopen: device profile for encoders class 2 (DS301, DS406) Profibus: Profibus-DP V0 slave class 1, class 2 DeviceNet C/P EtherCAT: ETG.1000, CoE, FoE, EtherCAT state machine Profinet IRT/RT Ethernet Powerlink V2.0, Profile 1.2.0 Ethernet/IP Vol. 2 Ed.1.22 Ethernet Modbus TCP/IP

### ACCESSORIES - Ex58/Hx58 EtherNet

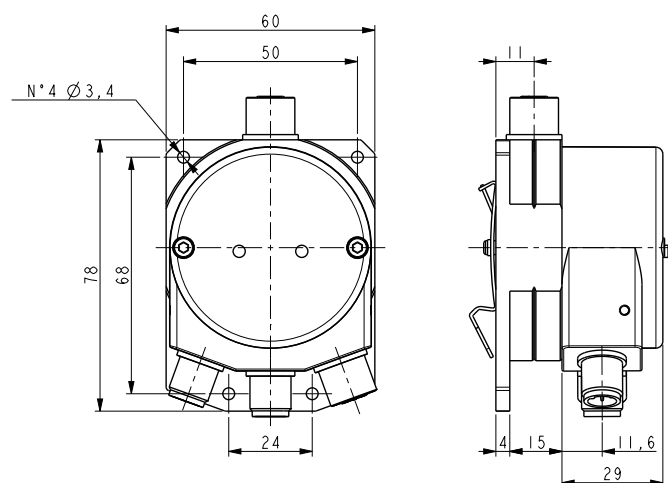
EC-M12ME-EC-GN-5:	M12 bus in/out cordset 5 m
EC-M12ME-EC-GN-10:	M12 bus in/out cordset 10 m
EXC-M12ME-EC-GN-5-RJ:	M12 + RJ bus in/out cordset 5 m
EXC-M12ME-EC-GN-10-RJ:	M12 + RJ bus in/out cordset 10 m
EC-M12PP-LK-PBS-5:	M12 Pwr cordset 5 m
EC-M12PP-LK-PBS-10:	M12 Pwr cordset 10 m
E-M12FC:	M12 connector (power supply)
E-M12MEC:	2 x M12 connector (bus IN/OUT)

### ACCESSORIES - Ax58 Profibus

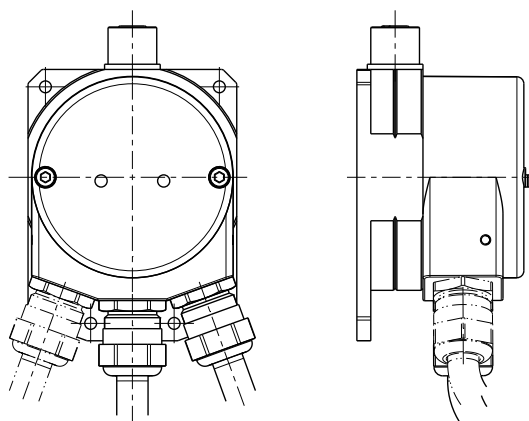
EC-M12MP-LK-PB-5:	M12 plug cordset with 5 m cable
EC-M12MP-LK-PB-10:	M12 plug cordset with 10 m cable
EC-M12FP-LK-PB-5:	M12 plug cordset with 5 m cable
EC-M12FP-LK-PB-10:	M12 plug cordset with 10 m cable
EC-M12PP-LK-PBS-5:	M12 Pwr cordset 5 m
EC-M12PP-LK-PBS-10:	M12 Pwr cordset 10 m
CC-PB-CON:	Kit of 3 mating conn. for PB

### ACCESSORIES - Ax58 CANopen / DeviceNet

EC-M12MP-LK-CB-5:	M12 plug cordset with 5 m cable
EC-M12MP-LK-CB-10:	M12 plug cordset with 10 m cable
EC-M12FP-LK-CB-5:	M12 plug cordset with 5 m cable
EC-M12FP-LK-CB-10:	M12 plug cordset with 10 m cable
CC-PB-CON:	Kit of 2 mating conn. for CB



WITH M12 CONNECTORS



WITH 2 OR 3 PG'S

IF55

**Recommended encoder series**

Linear encoder, up to 0.001mm:	SMA2 series
Rotary miniature encoder:	AM36, MM36 series
Bearingless encoder:	SMRA / MRA series
Contactless encoder for round axes:	SMLA

**Order code**

IF55	XXX Ⓐ	XX Ⓑ
------	----------	---------

<p>Ⓐ INPUT</p> <p>ROT = rotary sensors LIN = linear sensors</p>	<p>Ⓑ OUTPUT</p> <p>PB = Profibus-DP with 3 x PG PB-C = Profibus-DP with 3 x M12 CB = CANopen with 2 x PG CB-C = CANopen with 2 x M12 FD = DeviceNet with 3 x PG FD-C = DeviceNet with 3 x M12 EC = EtherCAT with 3 x M12 PT = Profinet with 3 x M12 EP = Ethernet/IP with 3 x M12 MT = Modbus TCP/IP with 3 x M12 PL = Powerlink with 3 x M12</p>
---	---

Document release	Date	Description
1.1	18.03.2021	Electrical specifications review and Accessories review